



# Technical Specifications Machinery Mounts - 110

## BRB Type 110 Mounts

### DESCRIPTION

Soundown type BRB mounts are antivibration elements which work the rubber in shear and compression. Their tall height profiles produce large deflections, low natural frequencies, and excellent vibration isolation results. This range of mounts is suitable for applications where high vibration isolation in the 85-95% range is a priority.



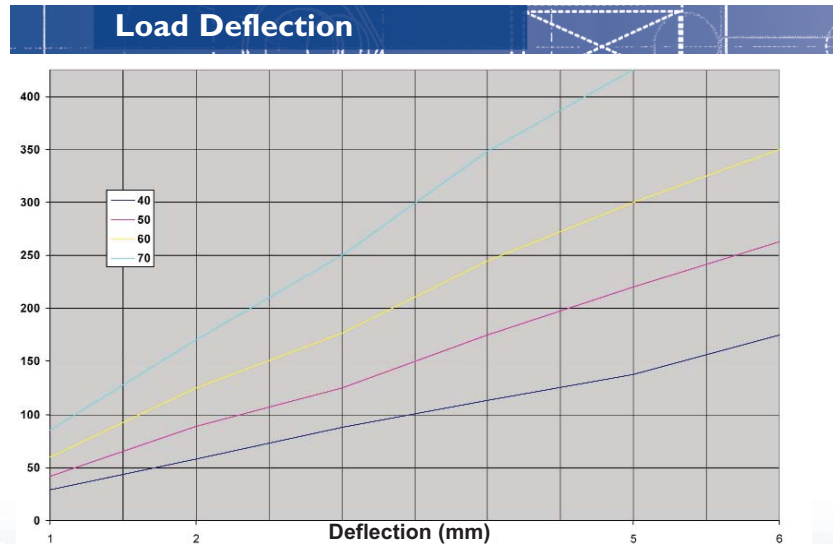
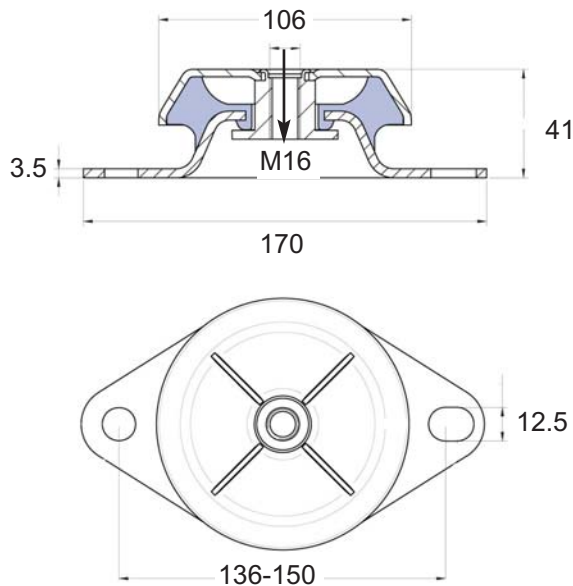
### TECHNICAL CHARACTERISTICS

- The top metal hood protects the rubber from the Ozone, UV rays, diesel or oils which damage the rubber.
- The metal parts have a suitable anticorrosive treatment for outdoor applications.
- They have an interlocking metal component that provides a fail-safe protection for mobile applications. This device limits the ascending vertical movement when the mounting is submitted to shocks at traction.
- The mounts are clearly identified, as the bases are engraved with the type and hardness, which makes it possible to easily recognize the piece even after several years of use.
- The hood has a cross stamped on the top, which enhances its rigidity on mobile applications and also improves the evacuation of oils or liquids that precipitate onto it.

### APPLICATIONS

This mount is suitable for the isolation of mobile rotating machines which are exposed to axial and radial shocks, dripping, oil diesel or exposure to the weather. It is particularly interesting for applications where a high level of vibration isolation is required.

TYPE	AMC	CODE 40 Sh	CODE 50 Sh	CODE 60 Sh	CODE 70 Sh
BRB 110 M12	Load (kg)	200	305	420	450



8 ID (203,2mm) ENGINE EXHAUST PIPE



SOUNDOWN CORPORATION  
ACOUSTIC INSULATION DETAIL

SIZE A PART NO. MF1010 DWG NO. 1010

SCALE NONE DATE 09-00-00 SHEET

THE INFORMATION SHOWN IS THE PROPERTY OF SOUNDOWN CORP. ANY COPYING OR REPRODUCTION TO OTHERS WITHOUT WRITTEN PERMISSION OF SOUNDOWN CORP. IS STRICTLY PROHIBITED.