

SAILBOAT ME EXHAUST QUESTIONNAIRE

Organization: _____

Name: _____

Address: _____

City: _____ State: _____

Tel: _____

Fax: _____

Email Address: _____

Country: _____

Engine Details

Make: _____

Model: _____

of Cylinders: _____

HP: _____

Rpm: _____

Combustion Air: _____

Cooling Water: _____

Vessel Details

Top Speed: _____

Cruise Speed: _____

Type of Vessel: _____

Make: _____

Model: _____

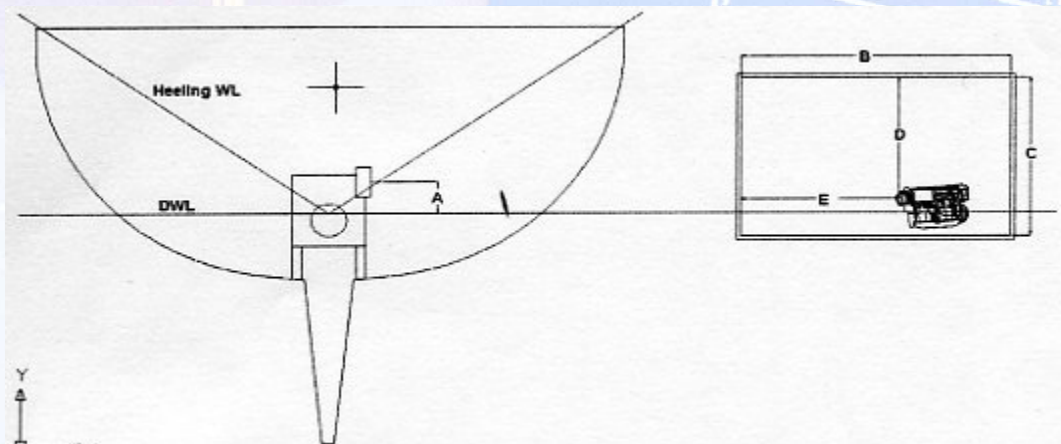
RPM	
_____	_____
_____	_____
_____	_____
_____	_____

Additional Information Check List

Vertical or Horizontal Silencer? _____

Underwater or Transom Outlet? _____

Dry Riser or Lift? _____



Fill out the dimension below using the drawing above.

- A. Distance Turbo Outlet to DWL
- B. Machine Room Length
- C. Machine Room Height
- D. Distance Turbo Outlet to Overhead
- E. Distance Turbo Outlet to Aft Bulkhead Heeling WL Angle

Inches	mm
_____	_____
_____	_____
_____	_____
_____	_____
_____	_____

Email or fax completed form to:

Matt Denis (mdenis@soundown.com), Dan Gasinowski (dgasinowski@soundown.com), Ryo Matsuki (rmatsuki@soundown.com)