

Technical Specifications Machinery Mounts - 50



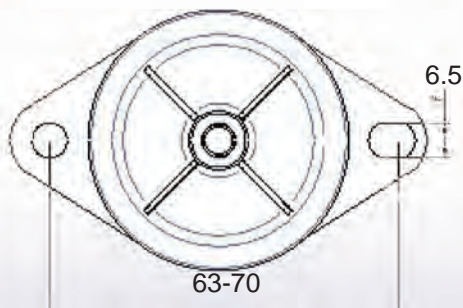
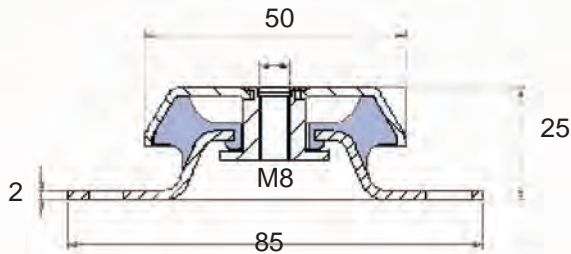
BRB Type 50

DESCRIPTION

Soundown type BRB mounts are antivibration elements which work the rubber in shear and compression. Their tall height profiles produce large deflections, low natural frequencies, and excellent vibration isolation results. This range of mounts is suitable for applications where high vibration isolation in the 85-95% range is a priority.



TYPE	AMC	CODE	CODE	CODE	CODE
		40 Sh	50 Sh	60 Sh	70 Sh
BRB 50	Load (kg)	20	40	60	80



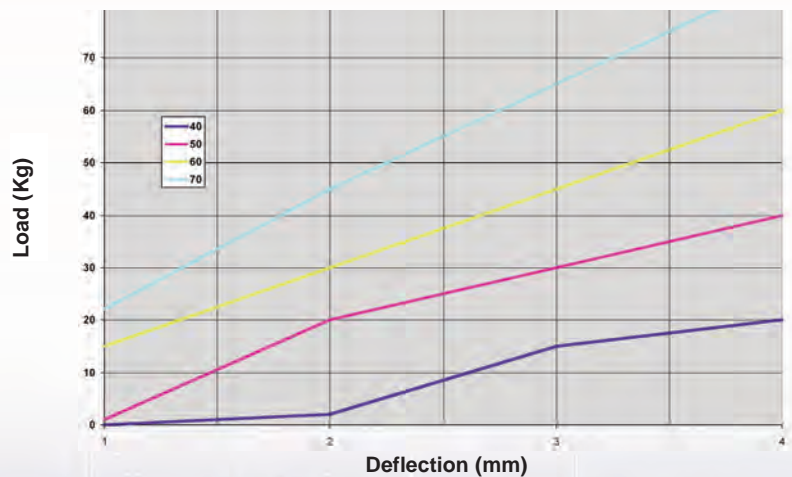
TECHNICAL CHARACTERISTICS

- The top metal hood protects the rubber from the Ozone, UV rays, diesel or oils which damage the rubber.
- The metal parts have a suitable anticorrosive treatment for outdoor applications.
- They have an interlocking metal component that provides a fail-safe protection for mobile applications. This device limits the ascending vertical movement when the mounting is submitted to shocks at traction.
- The mounts are clearly identified, as the bases are engraved with the type and hardness, which makes it possible to easily recognize the piece even after several years of use.
- The hood has a cross stamped on the top, which enhances its rigidity on mobile applications and also improves the evacuation of oils or liquids that precipitate onto it.

APPLICATIONS

This mount is suitable for the isolation of mobile rotating machines which are exposed to axial and radial shocks, dripping, oil diesel or exposure to the weather. It is particularly interesting for applications where a high level of vibration isolation is required.

Load Deflection



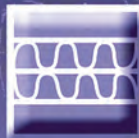
Salem, MA		Ft Lauderdale, FL	
16 Broadway		3005 SW 2 nd Ave, Ste 102	
Salem, MA 01970		Ft Lauderdale, FL 33315	
Phone	(978)745-7000	Phone	(954) 761-9188
Fax	(978) 745-0900	Fax	(954) 761-3136
www.soundown.com		sales@soundown.com	

8"Ø (203,2mm) ENGINE EXHAUST PIPE

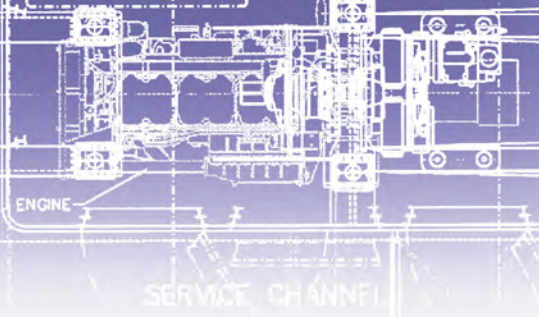
DUAL-LIFT (0,123m)

All statements herein are expression of opinion that we believe to be accurate and reliable, but are presented without guaranty or responsibility on our part.

2.12.2.B



Technical Specifications Machinery Mounts - 60



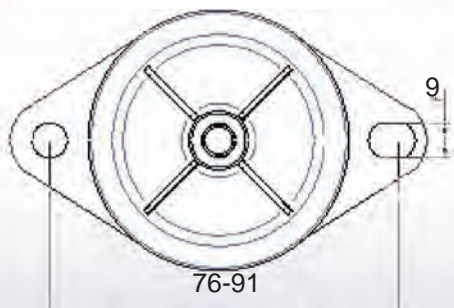
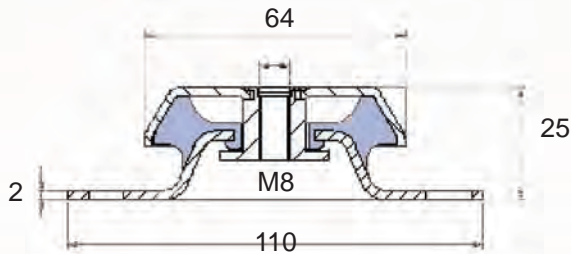
BRB Type 60

DESCRIPTION

Sounddown type BRB mounts are antivibration elements which work the rubber in shear and compression. Their tall height profiles produce large deflections, low natural frequencies, and excellent vibration isolation results. This range of mounts is suitable for applications where high vibration isolation in the 85-95% range is a priority.



TYPE		CODE	CODE	CODE	CODE
		40 Sh	50 Sh	60 Sh	70 Sh
BRB 60	Load (kg)	30	45	65	75



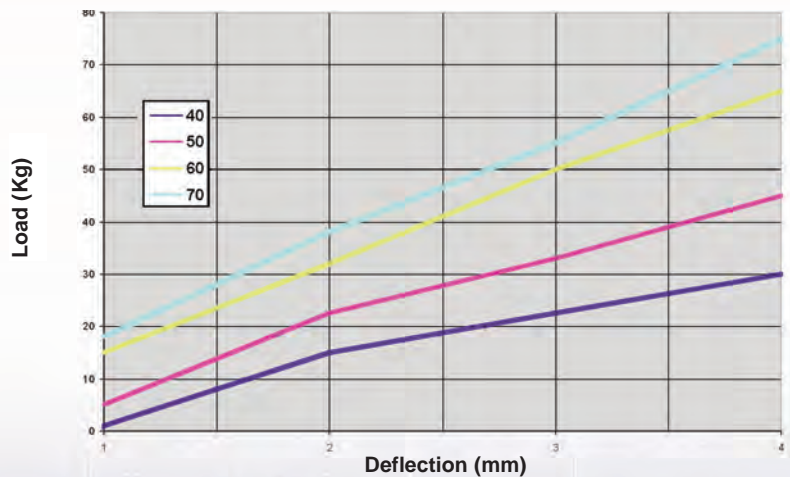
TECHNICAL CHARACTERISTICS

- The top metal hood protects the rubber from the Ozone, UV rays, diesel or oils which damage the rubber.
- The metal parts have a suitable anticorrosive treatment for outdoor applications.
- They have an interlocking metal component that provides a fail-safe protection for mobile applications. This device limits the ascending vertical movement when the mounting is submitted to shocks at traction.
- The mounts are clearly identified, as the bases are engraved with the type and hardness, which makes it possible to easily recognize the piece even after several years of use.
- The hood has a cross stamped on the top, which enhances its rigidity on mobile applications and also improves the evacuation of oils or liquids that precipitate onto it.

APPLICATIONS

This mount is suitable for the isolation of mobile rotating machines which are exposed to axial and radial shocks, dripping, oil diesel or exposure to the weather. It is particularly interesting for applications where a high level of vibration isolation is required.

Load Deflection



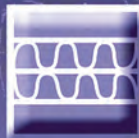
Salem, MA		Ft Lauderdale, FL	
16 Broadway		3005 SW 2 nd Ave, Ste 102	
Salem, MA 01970		Ft Lauderdale, FL 33315	
Phone	(978)745-7000	Phone	(954) 761-9188
Fax	(978) 745-0900	Fax	(954) 761-3136
www.sounddown.com		sales@sounddown.com	

8" D (203,2mm) ENGINE EXHAUST PIPE

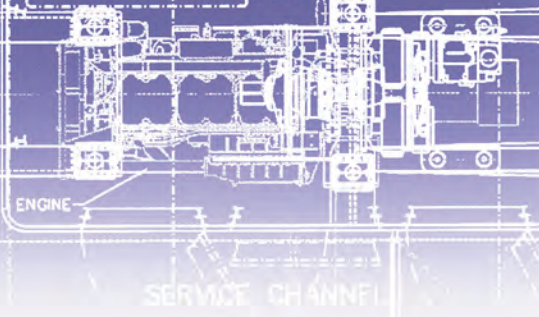
DUAL-LIFT (0,123m)

All statements herein are expression of opinion that we believe to be accurate and reliable, but are presented without guaranty or responsibility on our part.

2.12.2.B



Technical Specifications Machinery Mounts - 80



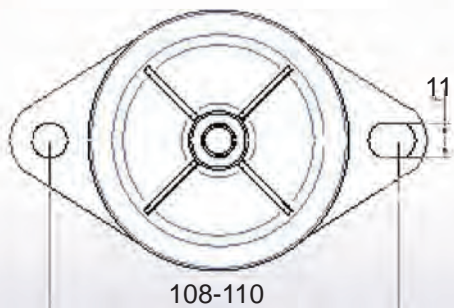
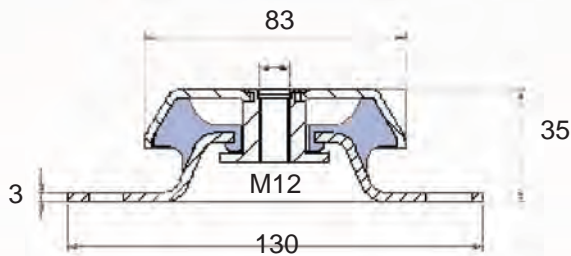
BRB Type 80

DESCRIPTION

Sounddown type BRB mounts are antivibration elements which work the rubber in shear and compression. Their tall height profiles produce large deflections, low natural frequencies, and excellent vibration isolation results. This range of mounts is suitable for applications where high vibration isolation in the 85-95% range is a priority.



TYPE	AMC	CODE	CODE	CODE	CODE
		40 Sh	50 Sh	60 Sh	70 Sh
BRB 80 M12	Load (kg)	80	130	175	235



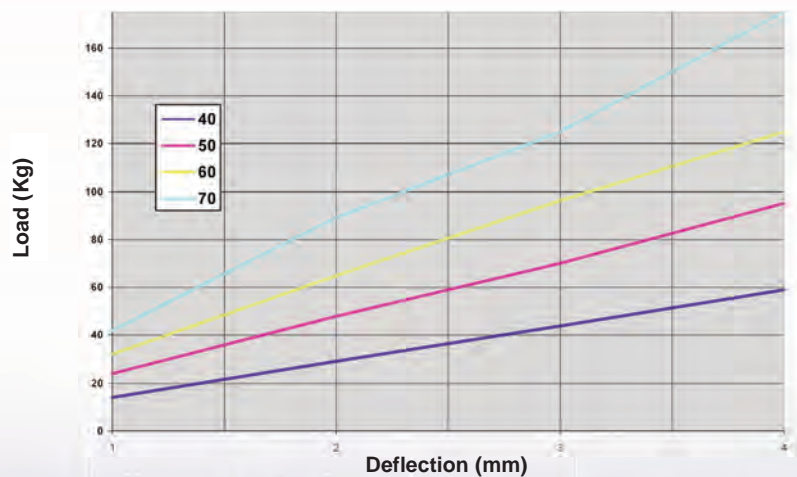
TECHNICAL CHARACTERISTICS

- The top metal hood protects the rubber from the Ozone, UV rays, diesel or oils which damage the rubber.
- The metal parts have a suitable anticorrosive treatment for outdoor applications.
- They have an interlocking metal component that provides a fail-safe protection for mobile applications. This device limits the ascending vertical movement when the mounting is submitted to shocks at traction.
- The mounts are clearly identified, as the bases are engraved with the type and hardness, which makes it possible to easily recognize the piece even after several years of use.
- The hood has a cross stamped on the top, which enhances its rigidity on mobile applications and also improves the evacuation of oils or liquids that precipitate onto it.

APPLICATIONS

This mount is suitable for the isolation of mobile rotating machines which are exposed to axial and radial shocks, dripping, oil diesel or exposure to the weather. It is particularly interesting for applications where a high level of vibration isolation is required.

Load Deflection



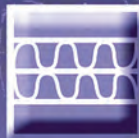
Salem, MA		Ft Lauderdale, FL	
16 Broadway		3005 SW 2 nd Ave, Ste 102	
Salem, MA 01970		Ft Lauderdale, FL 33315	
Phone	(978)745-7000	Phone	(954) 761-9188
Fax	(978) 745-0900	Fax	(954) 761-3136
www.sounddown.com		sales@sounddown.com	

8" D (203,2mm) ENGINE EXHAUST PIPE

DUAL-LIFT (0,123m)

All statements herein are expression of opinion that we believe to be accurate and reliable, but are presented without guaranty or responsibility on our part.

2.12.2.B



Technical Specifications Machinery Mounts - 110



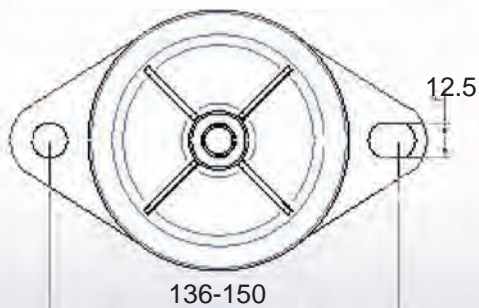
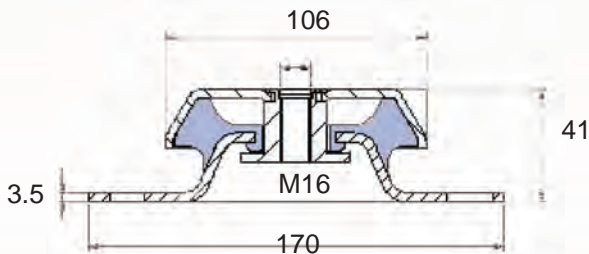
BRB Type 110

DESCRIPTION

Sounddown type BRB mounts are antivibration elements which work the rubber in shear and compression. Their tall height profiles produce large deflections, low natural frequencies, and excellent vibration isolation results. This range of mounts is suitable for applications where high vibration isolation in the 85-95% range is a priority.



TYPE	AMC	CODE	CODE	CODE	CODE
		40 Sh	50 Sh	60 Sh	70 Sh
BRB 110 M12	Load (kg)	200	305	420	450



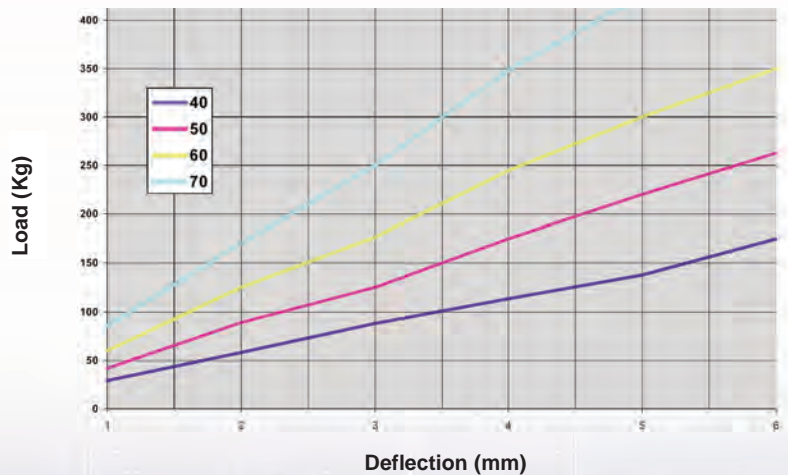
TECHNICAL CHARACTERISTICS

- The top metal hood protects the rubber from the Ozone, UV rays, diesel or oils which damage the rubber.
- The metal parts have a suitable anticorrosive treatment for outdoor applications.
- They have an interlocking metal component that provides a fail-safe protection for mobile applications. This device limits the ascending vertical movement when the mounting is submitted to shocks at traction.
- The mounts are clearly identified, as the bases are engraved with the type and hardness, which makes it possible to easily recognize the piece even after several years of use.
- The hood has a cross stamped on the top, which enhances its rigidity on mobile applications and also improves the evacuation of oils or liquids that precipitate onto it.

APPLICATIONS

This mount is suitable for the isolation of mobile rotating machines which are exposed to axial and radial shocks, dripping, oil diesel or exposure to the weather. It is particularly interesting for applications where a high level of vibration isolation is required.

Load Deflection



Salem, MA		Ft Lauderdale, FL	
16 Broadway		3005 SW 2 nd Ave, Ste 102	
Salem, MA 01970		Ft Lauderdale, FL 33315	
Phone	(978)745-7000	Phone	(954) 761-9188
Fax	(978) 745-0900	Fax	(954) 761-3136
www.sounddown.com		sales@sounddown.com	

8" D (203,2mm) ENGINE EXHAUST PIPE

DUAL-LIFT (0,123m)

All statements herein are expression of opinion that we believe to be accurate and reliable, but are presented without guaranty or responsibility on our part.

2010.2.B