

Technical Specifications

Ring/Bushing Mounts

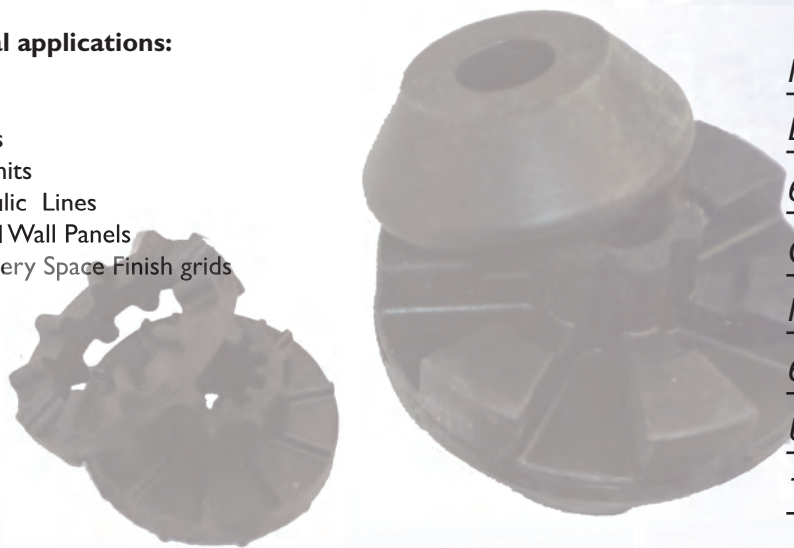
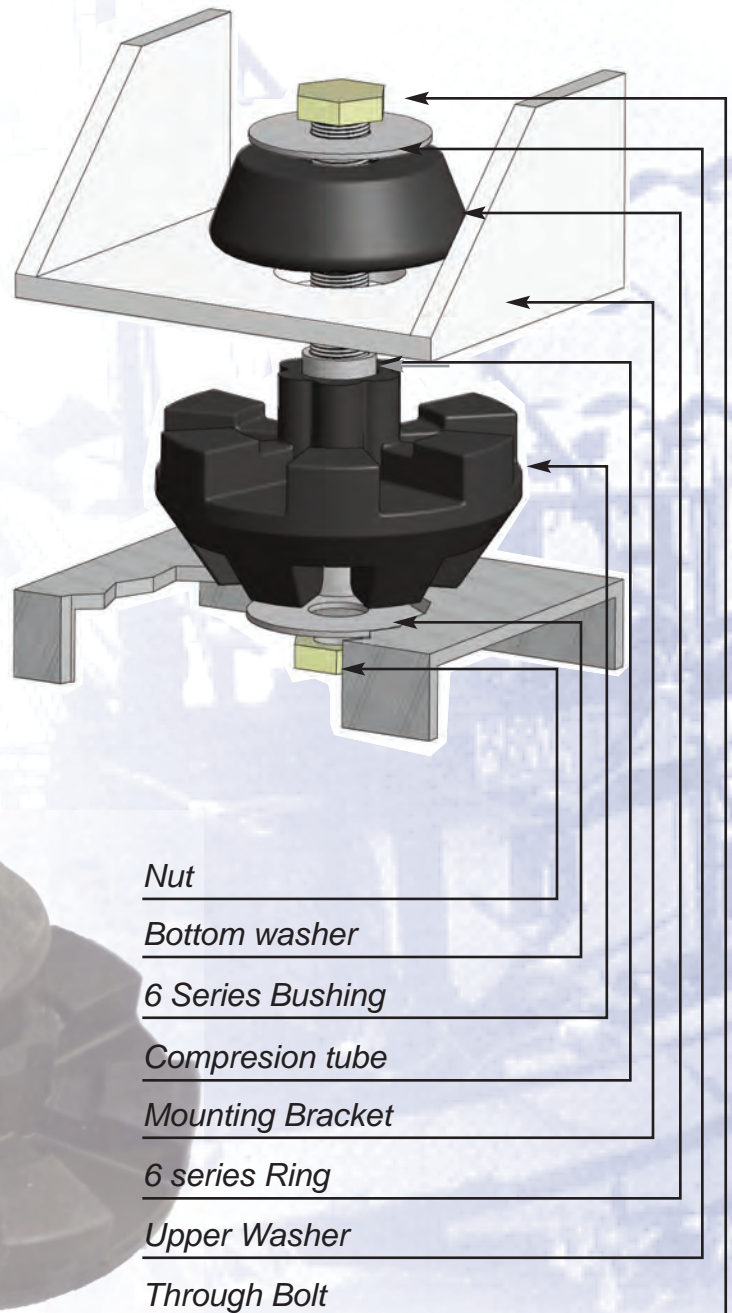
The Sounddown Ring/Bushing Kits are two component mounts that are used in conjunction with a hold down bolt for the effective isolation of equipment or panels. Ring/Bushing Mounts derived their stiffness from the rubber hardness (durometer) as well as form factor. The shape of both Ring and Bushing allow for the rubber to flex into the cavities, providing high deflection at relatively light loads. These higher deflections translate into higher levels of isolation and low level of structure borne noise.

Ring/Bushing mounts consist of two isolating components, one ring and one bushing, that sit either side of the mounting bracket. The Ring is generally used as the support component of the mounts and loaded in compression by the item to be isolated. The ring is placed above the mounting foot to prevent a short circuit of vibration from the mount foot to the bolt. With the bracket sandwiched between the two components it is completely isolated by the rubber components while remaining positively captured by the through bolt.

Standard equipment and panel mounting use two steel washers and a compression tube to preload the rubber and maintain tension on the bolt for a secure installation. Compression tubes are supplied longer than required by most application and should be cut to length per application. (See www.Sounddown.com for complete instructions)

Typical applications:

- Pumps
- Motors
- A/C Units
- Hydraulic Lines
- Floated Wall Panels
- Machinery Space Finish grids



2010.1.A

DUAL-LIFT (0,123m²)

8"ID (203,2mm) ENGINE EXHAUST PIPE



TYNNESS, SURE
MANUFACTURED IN USA
PHONE: 800-838-108
FAX: 802-637-1081

DWG BY: R. HERTZ

<http://www.sounddown.com>

THE INFORMATION HEREIN IS THE PROPERTY OF SOUNDOWN CORP. ANY COPYING TRANSMITTAL TO OTHERS AND ANY USE OR COPY THAT FOR WHICH IT PROVIDED IS PROHIBITED WITHOUT THE WRITTEN PERMISSION OF SOUNDOWN CORP.

SOUNDOWN CORPORATION

ACOUSTIC INSULATION DETAIL

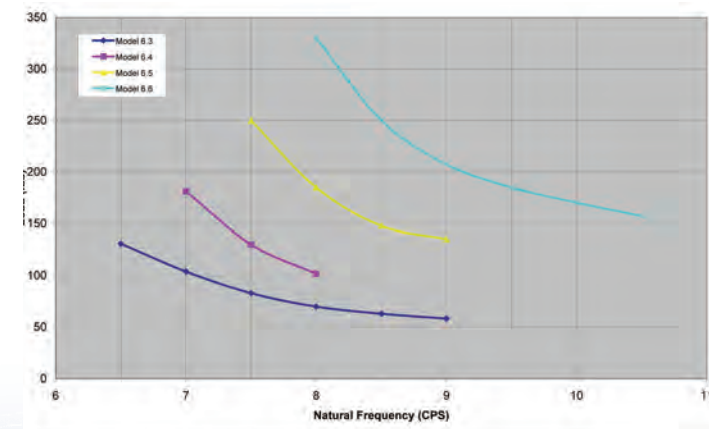
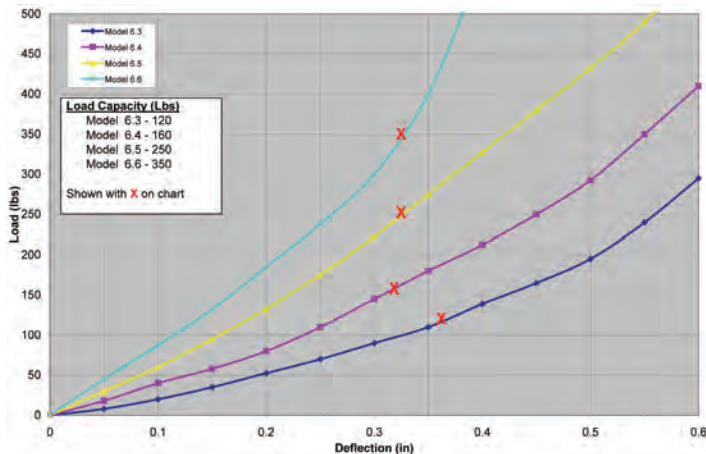
SIZE: A PART NO.: NF1010 DWG NO.: 1010

SCALE: 1"=1'-0" DATE: 00-00-00 SHEET

6 Series

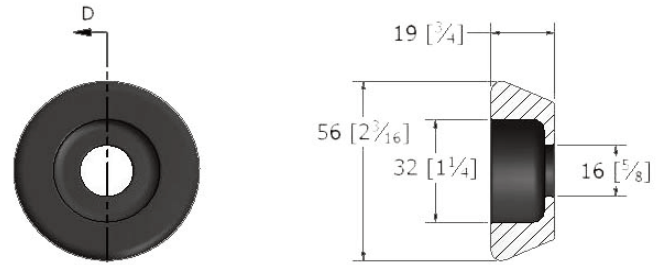
The 6 Series is the largest physical size of Ring/Bushing Mount and offer the largest amount of static deflection. With load ranges from 25lbs (11.5kG) to 350lbs (160kG) per point the 6 series can be used to obtain high deflection mounting of smaller components or installed with as many points as required to provide a high deflection low clearance mounting of larger equipment. Common applications include:

- Generators up to 99kW
- Air Conditioning Equipment
- Water makers
- Large Capacity Pumps
- Deisel Exhaust Components
- Large Fans

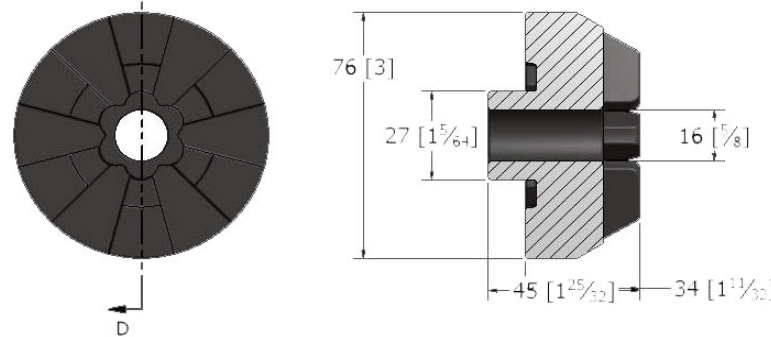


Mount Components

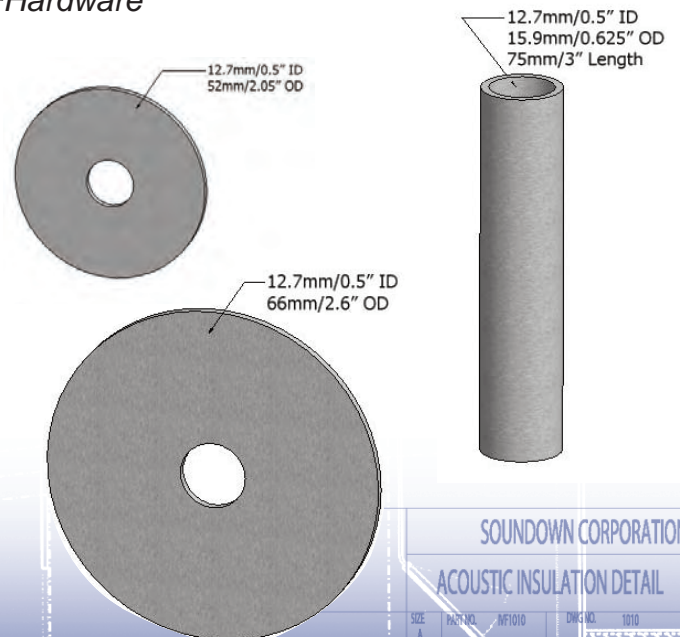
Ring



Bushing



Hardware



2010.1.A
DUAL-LIFT (0,123m²)

12.7mm (0.500 in) ID (203,2mm) ENGINE EXHAUST PIPE

<http://www.soundown.com>

THIS INFORMATION IS THE PROPERTY OF SOUNDOWN CORP. ANY COPYING OR REPRODUCTION OF THIS INFORMATION WITHOUT THE WRITTEN PERMISSION OF SOUNDOWN CORP. IS PROHIBITED.

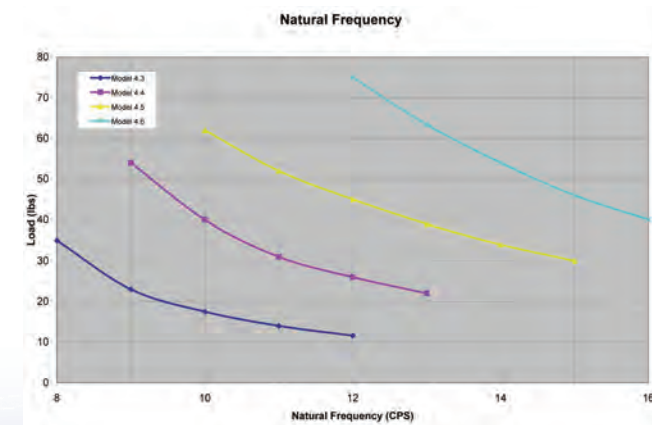
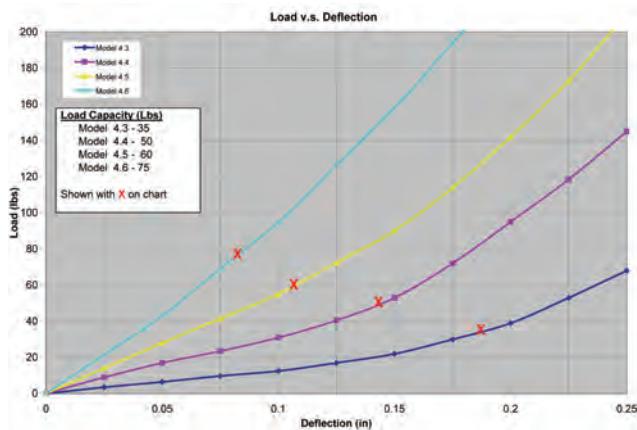
SOUNDOWN CORPORATION
ACOUSTIC INSULATION DETAIL

SIZE	PART NO.	DWG NO.	SHEET
A	MF1010	1010	
SCALE	1:1	DATE	09-00-00

4 Series

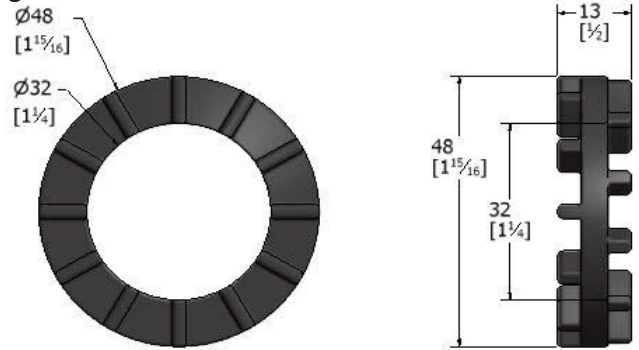
The 4 Series Ring Bushings are the most popular size of the range as they offer a load range of 10 (4.5) to 75 (34) lbs(kg) per mount in a low profile format. This allows for installation in area where space is limited as well as for retrofit applications where equipment can handle only minor changes in location. Properly installed these mounts will provide excellent isolation with while only raising the piece of equipment by 1/2" (12mm). Common applications include:

- Generators up to 20 kW
- In Cabin Air Conditioning Equipment
- Domestic Water Pumps
- Fuel Polishers
- Mufflers
- Fans
- Isolation of Wall Panels

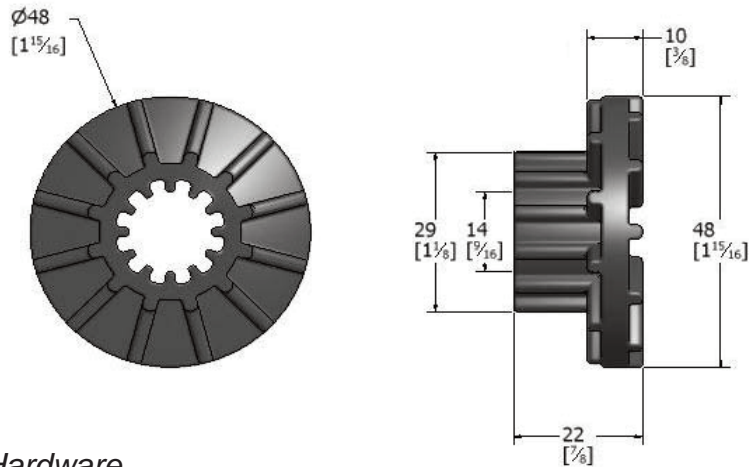


Mount Components

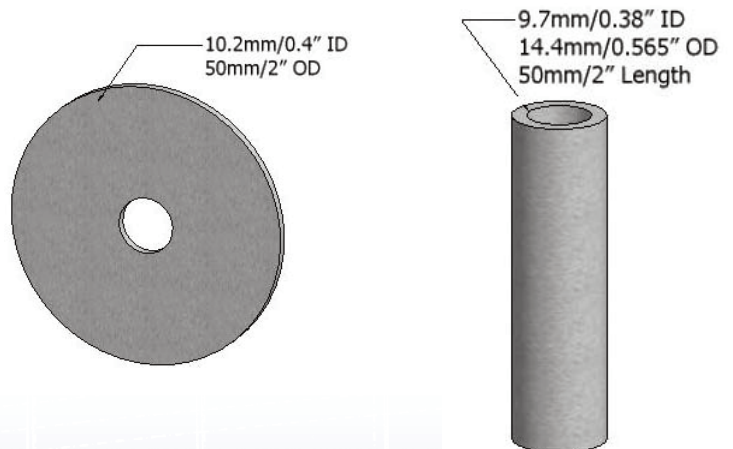
Ring



Bushing



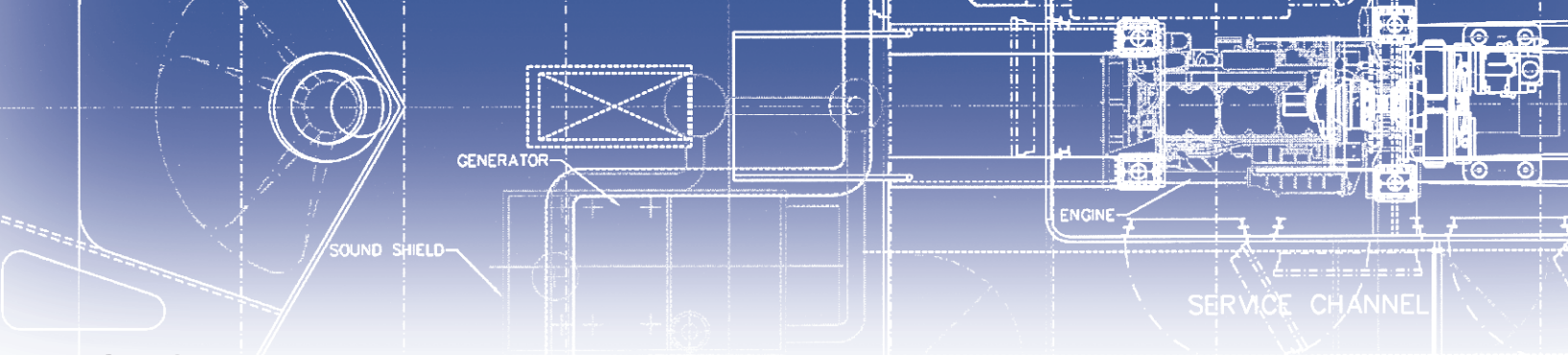
Hardware



2010.1.A
DUAL-LIFT (0,123m²)

ID (203,2mm) ENGINE EXHAUST PIPE

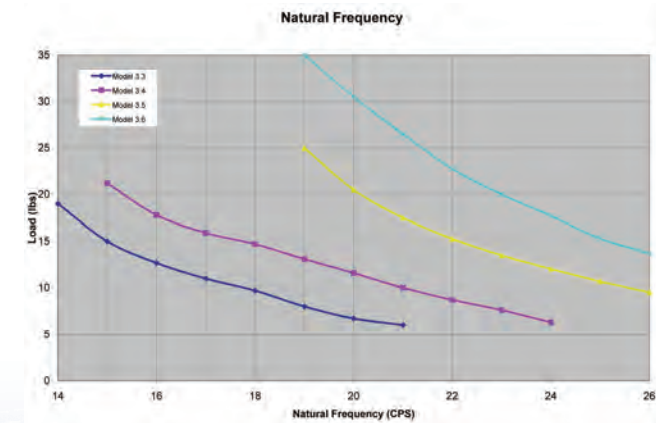
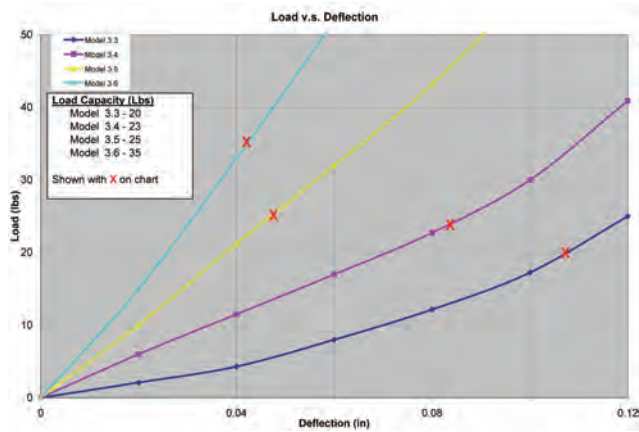
		SOUNDOWN CORPORATION ACOUSTIC INSULATION DETAIL	
DWS BY R.HERTZ http://www.soundown.com	SIZE A SCALE 1:1 DATE 00-00-00	PART NO. MF1010 DATE 00-00-00	DWS NO. 1010 SHEET
<small>THE INFORMATION CONTAINED HEREIN IS THE PROPERTY OF SOUNDOWN CORPORATION. ANY COPYING OR REPRODUCTION OF THIS DOCUMENT WITHOUT THE WRITTEN PERMISSION OF SOUNDOWN CORPORATION IS PROHIBITED.</small>			



3 Series

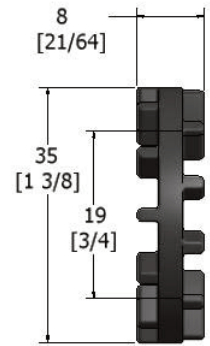
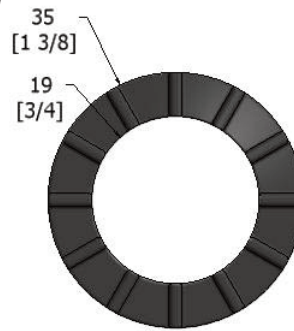
The 3 Series Ring Bushings are used to mount equipment with weights between 5(2.3) and 35(16) lbs(kgs) as well as engineered into other isolation systems. The compact size and range of loads that the 3 Series can handle make it an ideal mount for applications such as hydraulic pipe hangers and interior systems such as ceiling grids and floated wall panels. Common applications include:

- Hydraulic Pipe hangers
- Ceiling Grids
- Grey and Black water Circulation Pumps

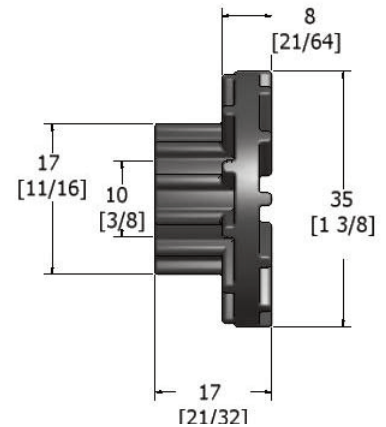
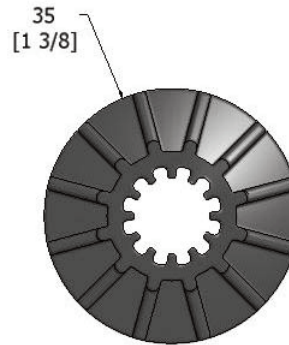


Mount Components

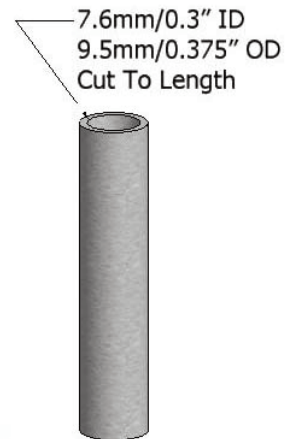
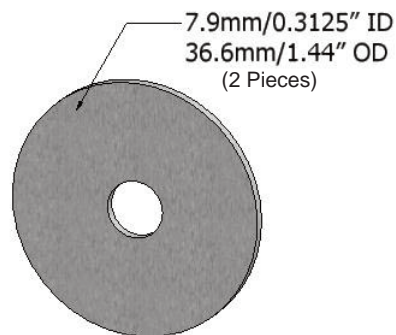
Ring



Bushing



Hardware



2010.1.A
DUAL-LIFT (0,123m²)

ID (203,2mm) ENGINE EXHAUST PIPE



170857-0001
BARKER, JAMES
PHONE: 800-833-1030
FAX: 800-833-1030

DWG BY: R. HESTER

http://www.soundown.com

THE INFORMATION CONTAINED HEREIN IS THE PROPERTY OF SOUNDOWN CORP. ANY COPYING THEREOF TO OTHERS WITHOUT THE WRITTEN PERMISSION OF SOUNDOWN CORP. IS STRICTLY PROHIBITED.

SOUNDOWN CORPORATION
ACOUSTIC INSULATION DETAIL

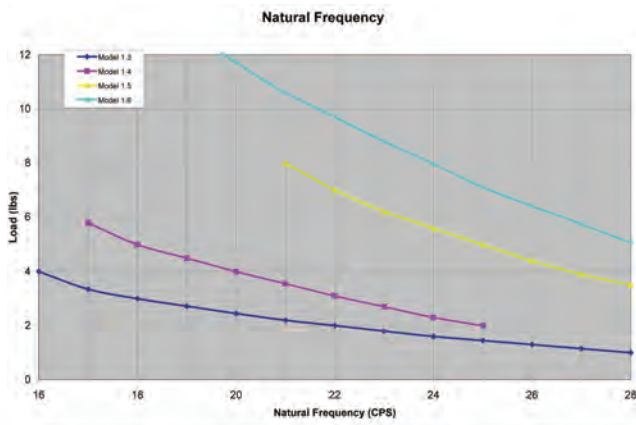
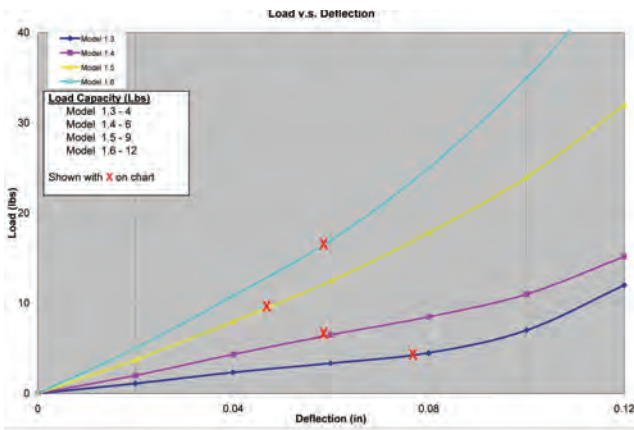
SIZE	PART NO.	DWG NO.	TOTL
A	AF1010	1010	

SCALE	DATE	SHEET
1:1	09/01/10	1

I Series

The I Series Ring Bushings are extremely compact mounts capable of effectively isolating loads as light as 1 (0.45)lb(kg). Many small pieces of rotating or electronic equipment are installed in close proximity to occupied spaces and emit hums or buzzes that are often the source of complaints. I series ring bushings are highly effective at reducing or eliminating these problem noises. Common applications include:

- Small transformers or Other Electronic Components
- Hydraulic Feedback Pumps
- Light Weight Hanger Systems

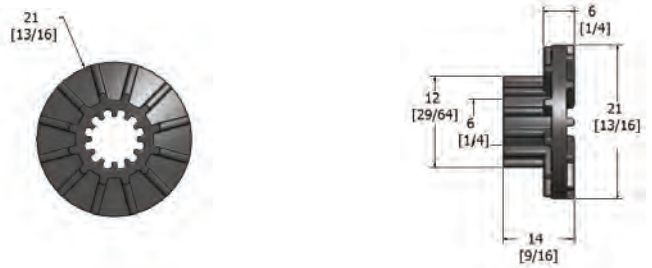


Mount Components

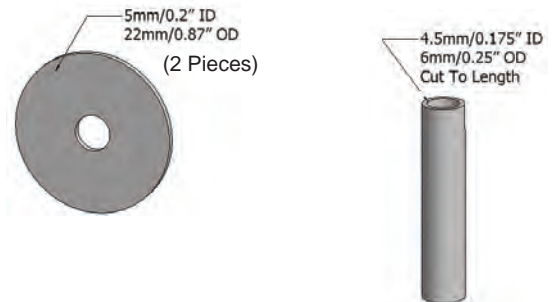
Ring



Bushing



Hardware



2010.1.A

1/2\"/>



TYPICAL SIZE:
MANUFACTURED IN USA
PHONE: 800-239-1008
FAX: 807-691-9031

DWG BY: R. HERTZ

http://www.soundown.com

THE INFORMATION HEREIN IS THE PROPERTY OF SOUNDOWN CORP. ANY COPYING TRANSMITTAL TO OTHERS AND ANY USE WITHOUT WRITTEN PERMISSION OF SOUNDOWN CORP. IS PROHIBITED.

SOUNDOWN CORPORATION

ACOUSTIC INSULATION DETAIL

SIZE: A PART NO: NF1010 DWG NO: 1010

SCALE: 1/2\"/>

DATE: 09-09-00 SHEET



All statements herein are expression of opinion that we believe to be accurate and reliable, but are presented without guaranty or responsibility on our part.

16 Broadway
Salem, MA 01970
1-978-745-7000
www.SOUNDOWN.com

SOUNDOWN
FOR PEACE AND QUIET

3005 S.W. 2nd Ave. #102
Fort Lauderdale, FL 33315
1-954-761-9188
sales@soundown.com

2010.1.A