

DOCUMENTATION SHEET

Propulsion Equipment
TT-Mount type 1

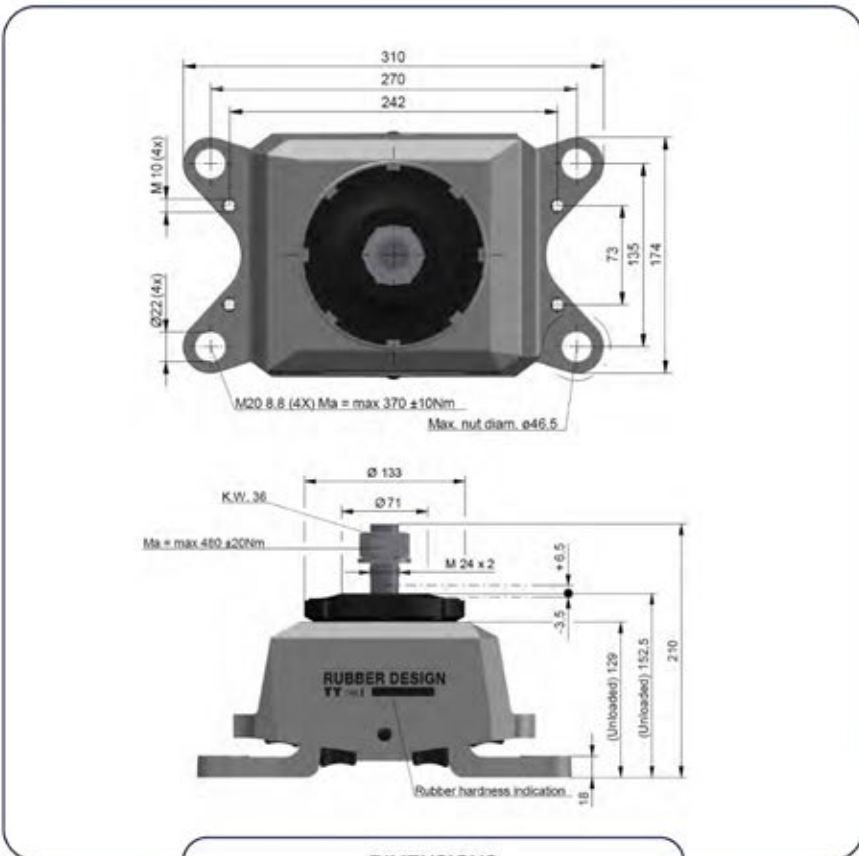
TT1

General

The TT mounts are especially developed for the high powered / low weight, close coupled engine / gearbox combinations. The unique mounting design characteristics enables to transmit both Thrust and Torque forces whilst ensuring an excellent vibration isolation. The TT mounts have a linear stiffness over a wide load range varying from compression (-) to extension (+) necessary to maintain the optimum isolation properties of the Mass-Spring system formed by engine / gearbox and mounts. The close coupled gearbox reduces the engine rpm 's and as a consequence, magnifies the engine torque. The reaction torque is being transferred over the TT mounts to the foundation as additional compression or extension forces which requires the TT mounts unique linear (compression / extension) stiffness to maintain the same high degree of isolation. The height adjustable TT mountings are produced in a light-weight, seawater resistant aluminium and among others feature slotted / threaded holes to secure the mountings during transportation and, or alignment of the engine installation. The castings are designed such as to protect the interchangeable rubber inserts from contamination. The central threaded stud enables easy installation and in the case of a thrust transferring application of the TT mountings, the recommended tightening torques should be kept.

Remark

It is our intention to maintain the excellent standard of our products. Modifications and improvements may be made from time to time, therefore we advise to contact us before ordering.



DIMENSIONS



Rubber Design

vibration and noise control

Specification

The stiffness ratio from Vertical (Z) to Longitudinal (X) is selected such to minimize displacements of the installation and connected equipment in this direction, which for instance is beneficial for shaft seals. The thrust capacity per mount, related to the actual mount load (FZ) can be taken from the characteristics table below.

	Initial load limit [N]	Max. Vertical load [N]		Max. Thrust load [N]
	at 4mm vertical compression (-) (static load)	Compression (-)	Tensile (+)	
45°Sh.A	4000	8000	3000	15000
50°Sh.A	5000	10000	3750	18500
55°Sh.A	5750	11000	4250	20750
60°Sh.A	6750	13500	5000	22000
65°Sh.A	9250	18250	7000	27500
70°Sh.A	13250	26750	10000	29750
75°Sh.A	25000	50000	18750	38000

CHARACTERISTICS

The standard rubber hardness is available from 45° Sh.A up to 75° Sh.A and can be used up to 90° C continuous and 110° C peak temperature, furthermore it will ensure low creep values. All TT mounts are marked with the rubber hardness derived from the individual stiffness test on one side of the top casting.

The TT mounts have an integrated limiter which limits the displacements in the vertical and horizontal direction.

Direction	Vertical up (+)	Vertical down (-)
Displacement limiter clearance [mm]	3,1	11,5

Vertical clearance at unloaded condition

CLEARANCE

Direction	Fz +	Fz -	Fy + or -	Fx + or -
Max Shockload (kN)	75	200	60	85

SHOCKLOADS

Selection

The mount selection for a Thrust and Torque transferring propulsion installation can generally be made according to the following guidelines and is based solely on mount loads. The selection made according to these guidelines will prevent overloading of the mountings.

- 1) Calculate the vertical (Z) static load per mount position;
- 2) Select mount type rubber hardness, not exceeding initial load limit.
- 3) Calculate the additional torque forces (+/-) in the full load situation per mount position.
- 4) Add the load per mount as found under 1 with the torque forces per mount as found under 3. Check if the calculated maximum and minimum vertical load points are within the allowed maximal vertical load range.
- 5) Determine the maximum thrust loads from the characteristics table.
- 6) Compare the total horizontal (X) thrust load of the installation with the total maximum thrust load of all mountings together. Select a different rubber hardness if required.

The analysis of the disturbing – versus natural frequencies of the mounting system should confirm the mount selection.



TYPE APPROVALS

Soundown Corp
16 Broadway
Salem, MA 01970
p. (978)745-7000
f. (978)745-0900

3005 SW 2nd Ave
Suite 102
Ft Lauderdale, FL 33315
p.(954)761-9188
f.(954)761-3136

www.soundown.com
sales@soundown.com