



NEW

for

Anti Vibration Mountings

Soundown Corp

Salem, MA
p. (978)745-7000

Ft lauderdale, FL
p. (954)761-9188

www.soundown.com
sales@soundown.com

Rubber Design's New Range MP-mounts

Reduction of Vibrations and Noise

General/applications

The Multi Purpose anti-vibration mounts are designed for active isolation of vibrations.

They can be used for various applications such as generator sets, pumps, compressors, cabins, containers etc.

The internal deflection limiter avoids overload and allows use for mobile applications on trucks and on board of ships.

Because of the shape of the mount with the metal top the natural rubber is perfectly protected against oil and ozone.



Features

The key benefits of the Multi Purpose mountings are: easy to calculate and achieve an optimum result, no need for skilled engineers to install them and to conclude the MP mounts are maintenance free.

Due to the compact standard range they can be delivered from the shelf.

The Multi Purpose mounts can also be delivered on customer's specification, i.e. with height adjustment, or welding plate.

Because of the circular shape the springrates are equal in both horizontal directions.

In spite of the small mounting height a reasonable deflection for perfect isolation is guaranteed.

Quality control

The mountings are tested and selected on stiffness before delivery to the customers.



Vertical Load Deflection Characteristics And Dimensions MP Range



Rubber Design
vibration and noise control

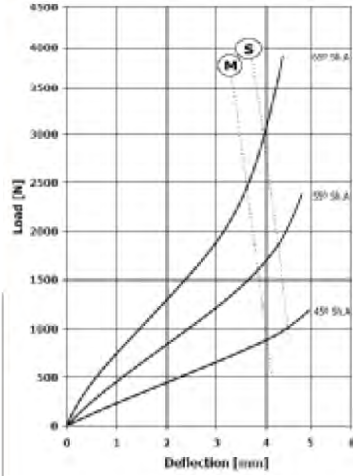
NEW
for

Anti Vibration Mountings

Soundown Corp
Salem, MA
p. (978)745-7000
Ft lauderdale, FL
p. (954)761-9188

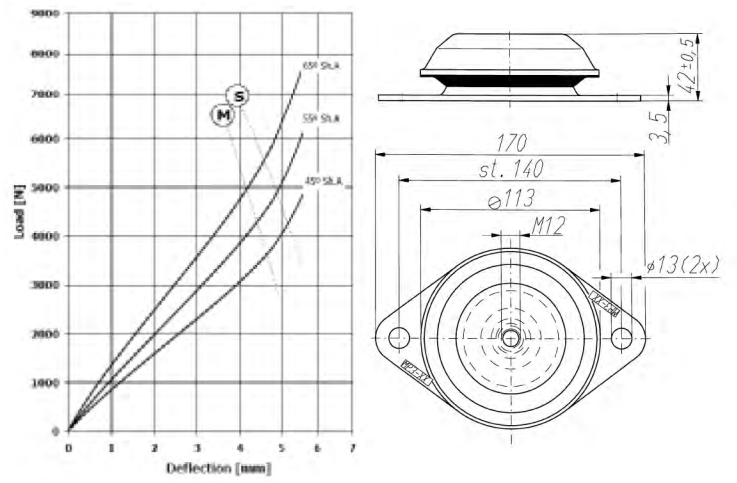
www.soundown.com
sales@soundown.com

MP 2 Mount



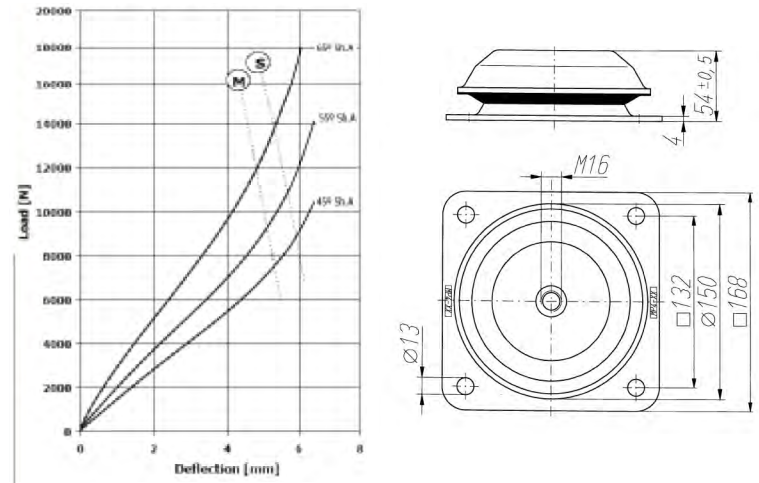
Note : S = Static Load limit M = Marine Load limit

MP 3 Mount



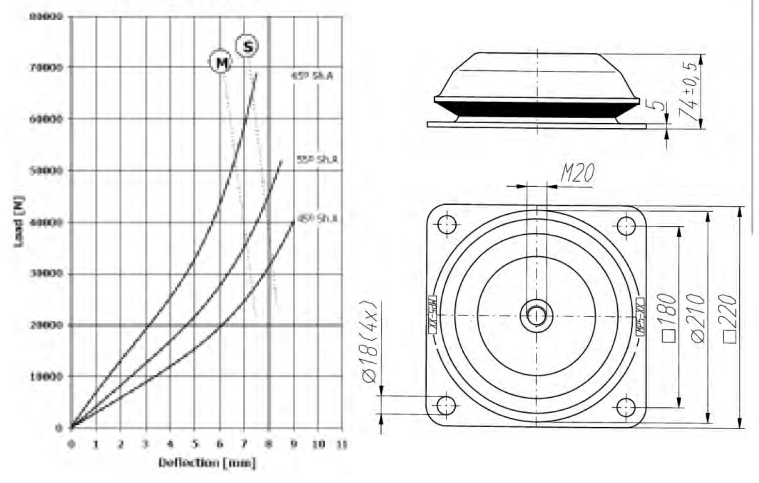
Note : S = Static Load limit M = Marine Load limit

MP 4 Mount



Note : S = Static Load limit M = Marine Load limit

MP 5 Mount



Note : S = Static Load limit M = Marine Load limit

